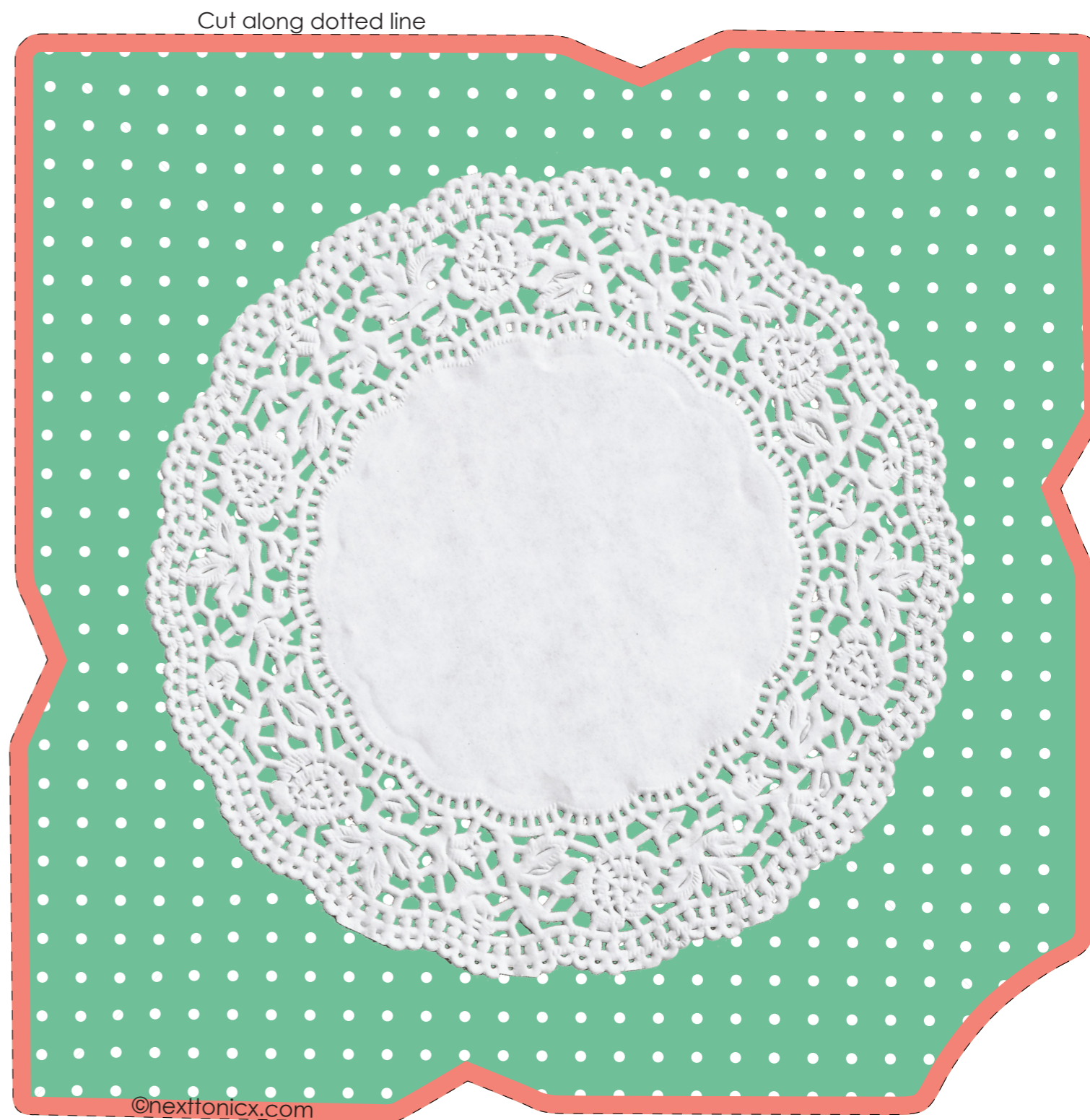
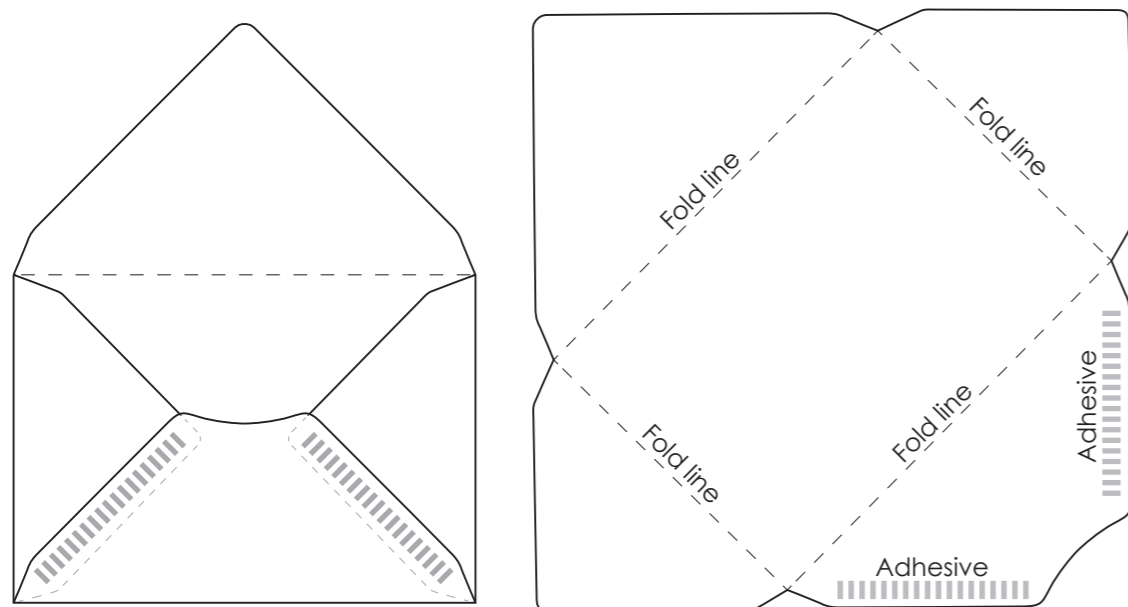




Mint Background, White Dots & Paper Doily  
Envelope Exterior

To make yourself a gorgeous C6 envelope,  
(114mm high x 162mm wide)  
print this page out on A3 paper  
Cut around on the dotted line shown  
and fold as shown below.

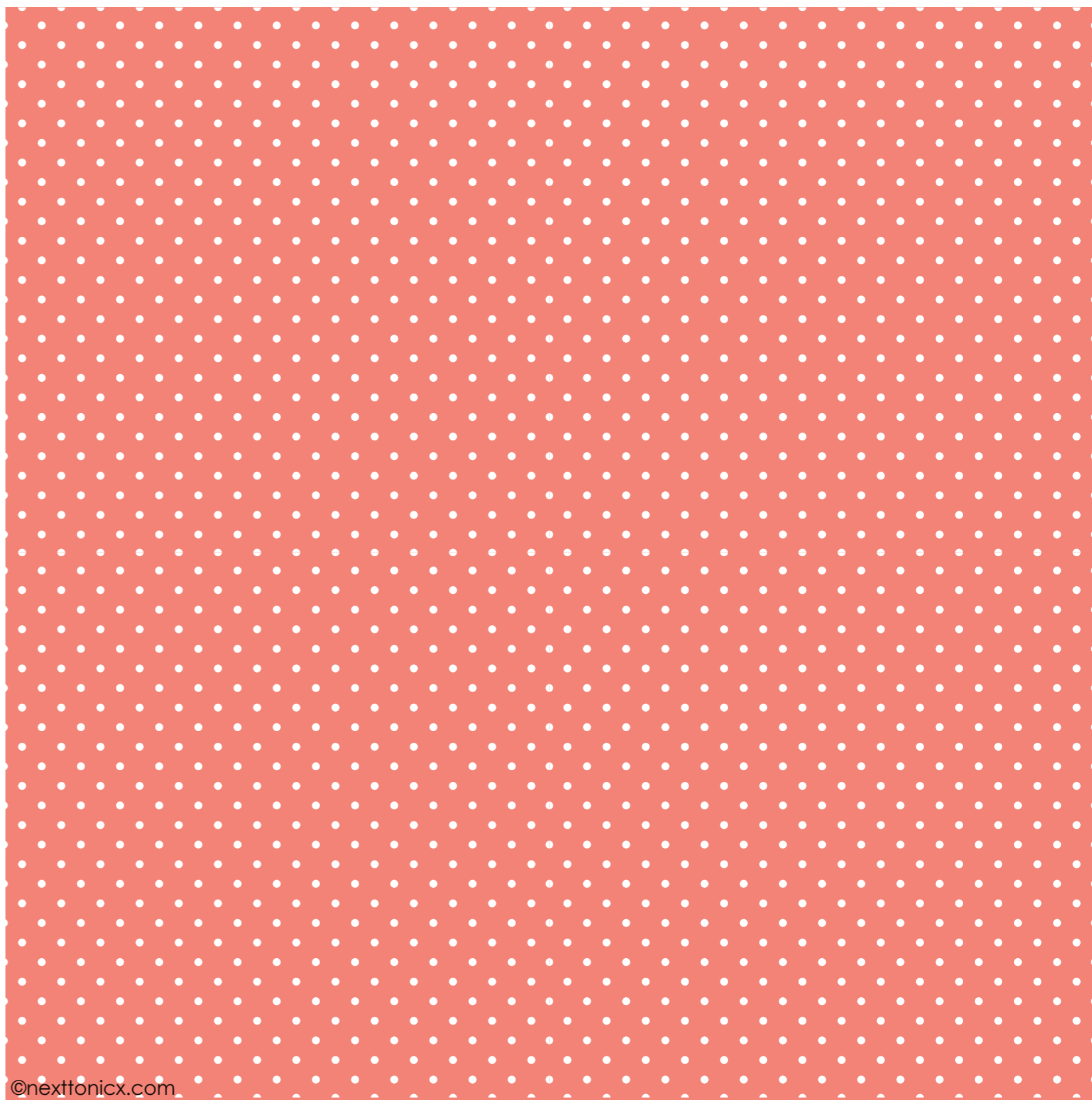
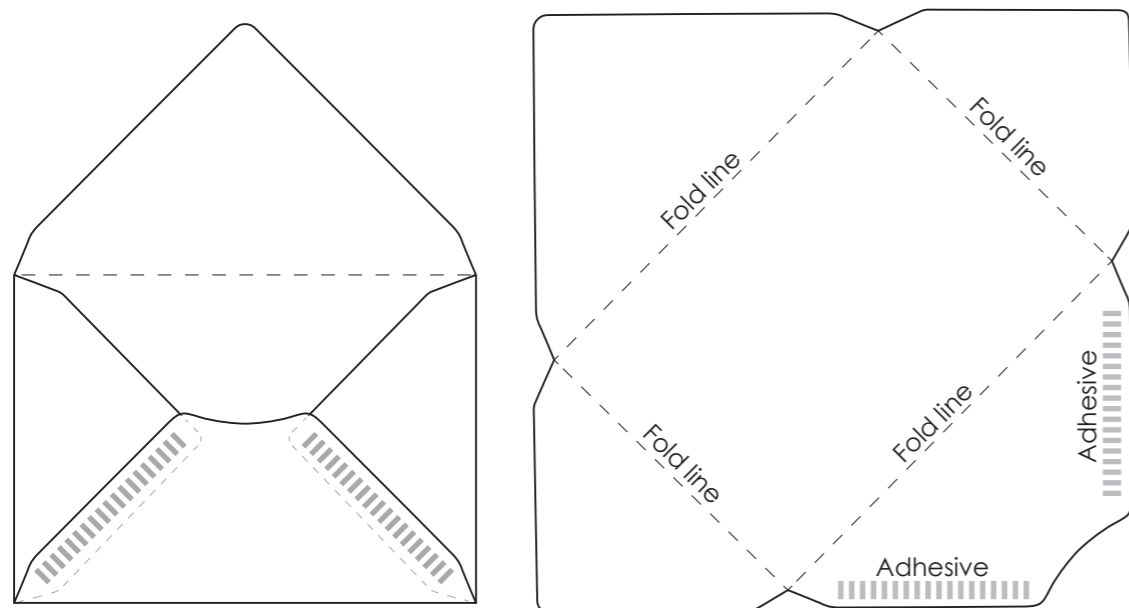
After folding in the two side flaps, add a small amount of paper glue  
or double sided tape to the area indicated (on the non-printed side)  
and stick the base flap to the two side flaps.





Coral Background, White Dots  
Envelope Interior

To make yourself a gorgeous C6 envelope,  
(114mm high x 162mm wide) with this pattern on the inside,  
print this page out on the reverse side (flipping on the long side)  
of the envelope exterior print (A3 paper)  
Follow the instructions as per the envelope exterior print.



©nexttonicx.com

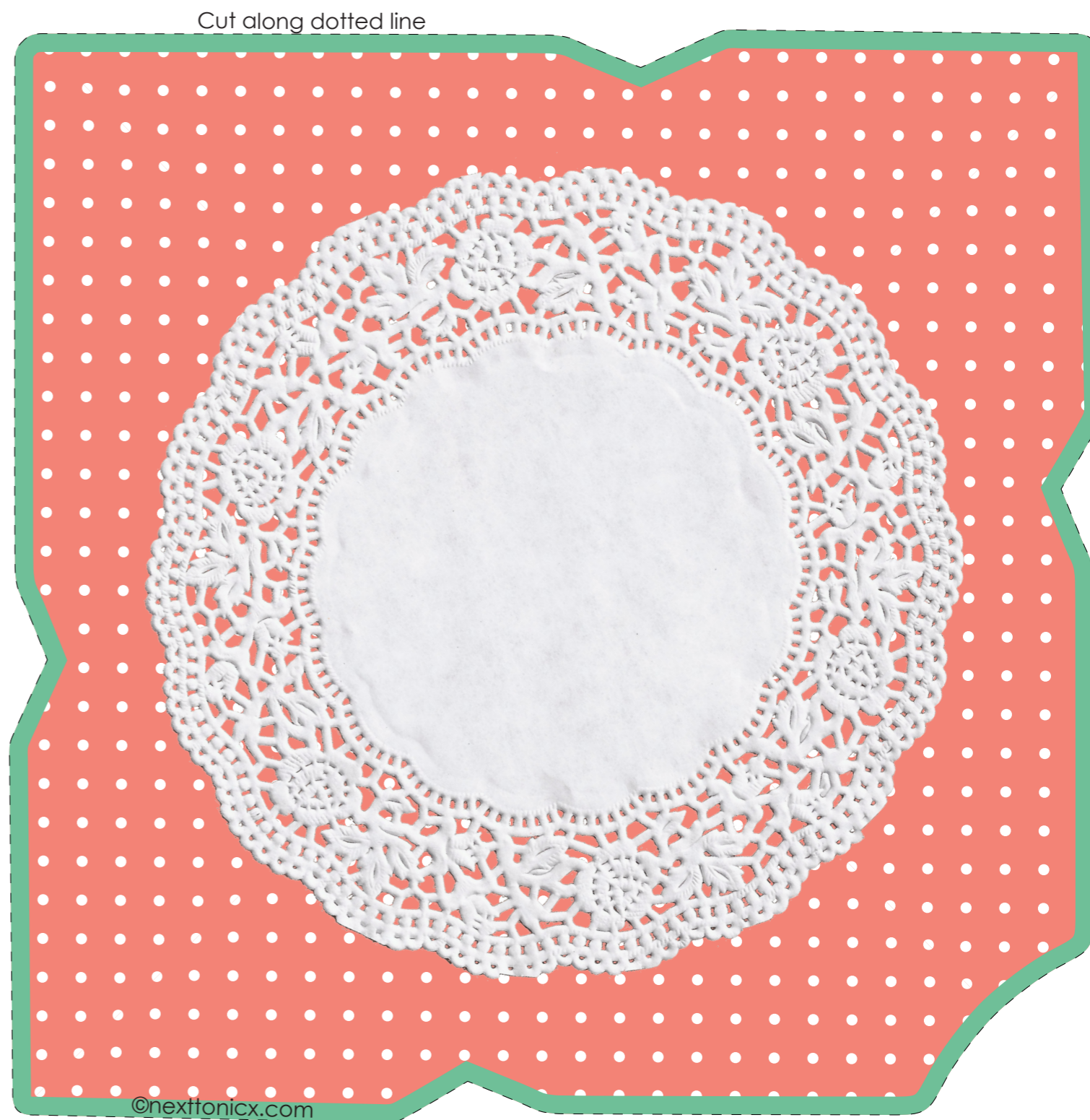
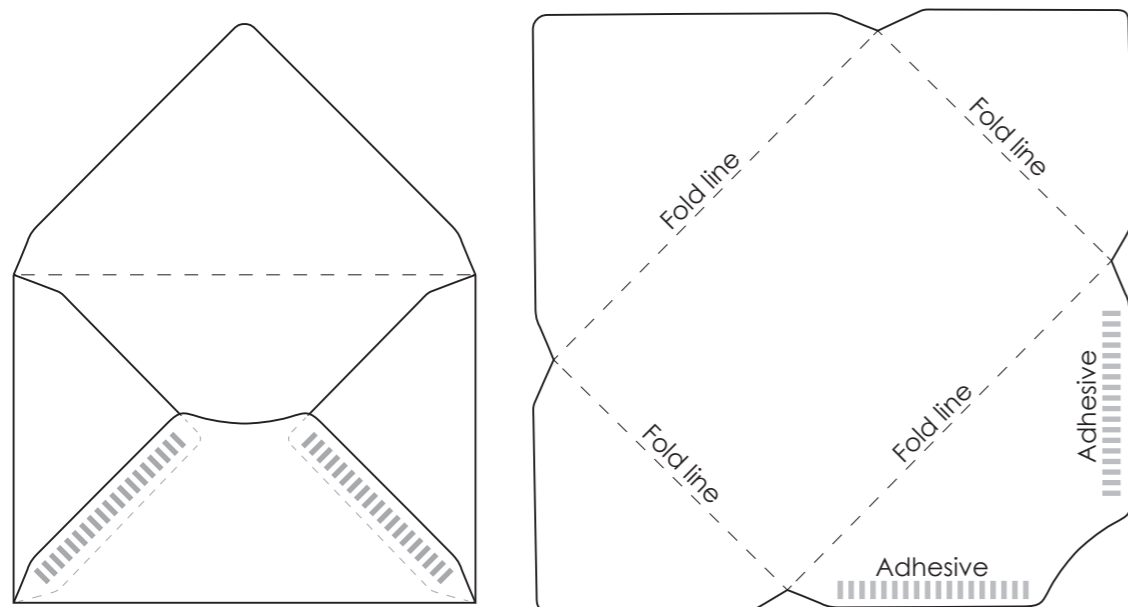
Dots and Doilys Envelope  
by Next to Nicx by Nicola Pravato is licensed under a  
Creative Commons Attribution-NonCommercial-NoDerivs 3.0 Unported License.  
No commercial use permitted. Personal use only.



Coral Background, White Dots & Paper Doily  
Envelope Exterior

To make yourself a gorgeous C6 envelope,  
(114mm high x 162mm wide)  
print this page out on A3 paper  
Cut around on the dotted line shown  
and fold as shown below.

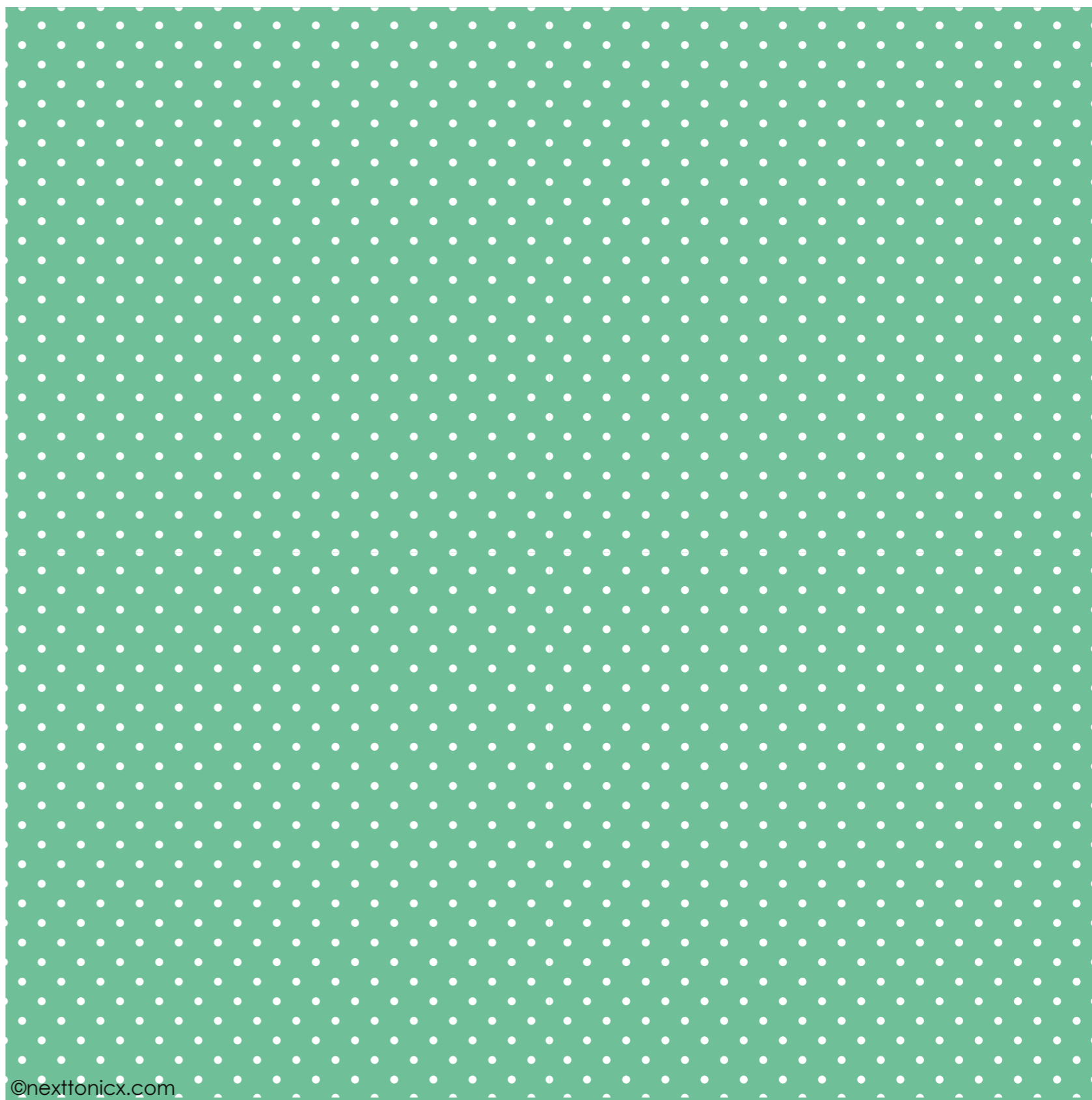
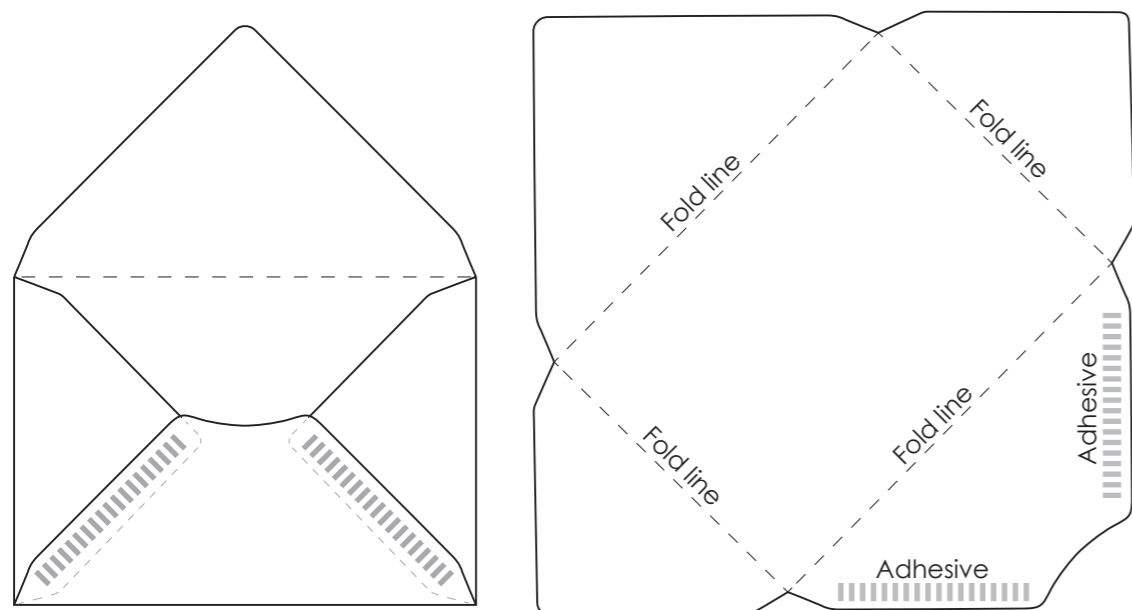
After folding in the two side flaps, add a small amount of paper glue  
or double sided tape to the area indicated (on the non-printed side)  
and stick the base flap to the two side flaps.





Mint Background, White Dots  
Envelope Interior

To make yourself a gorgeous C6 envelope,  
(114mm high x 162mm wide) with this pattern on the inside,  
print this page out on the reverse side (flipping on the long side)  
of the envelope exterior print (A3 paper)  
Follow the instructions as per the envelope exterior print.



©nexttonicx.com

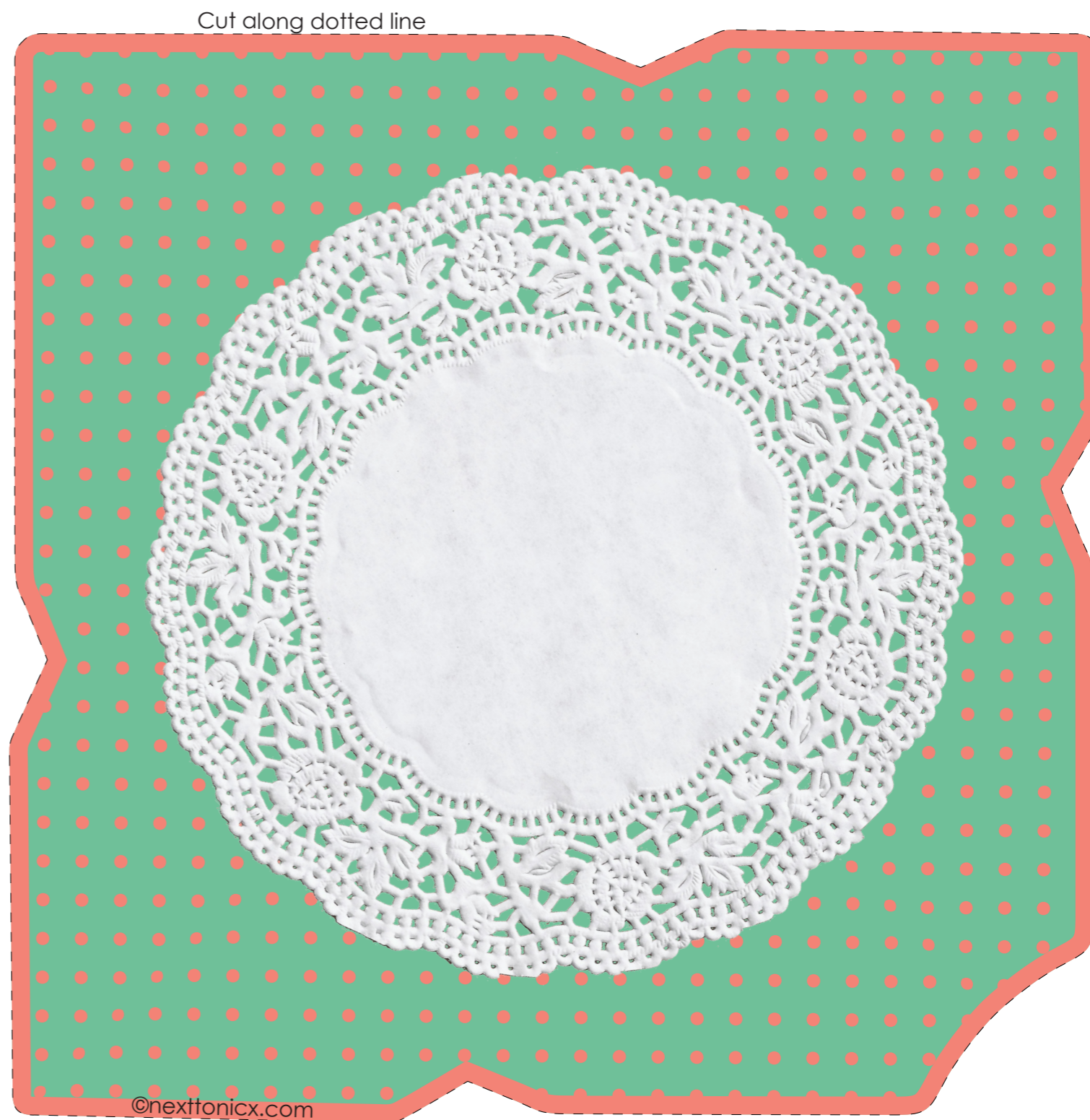
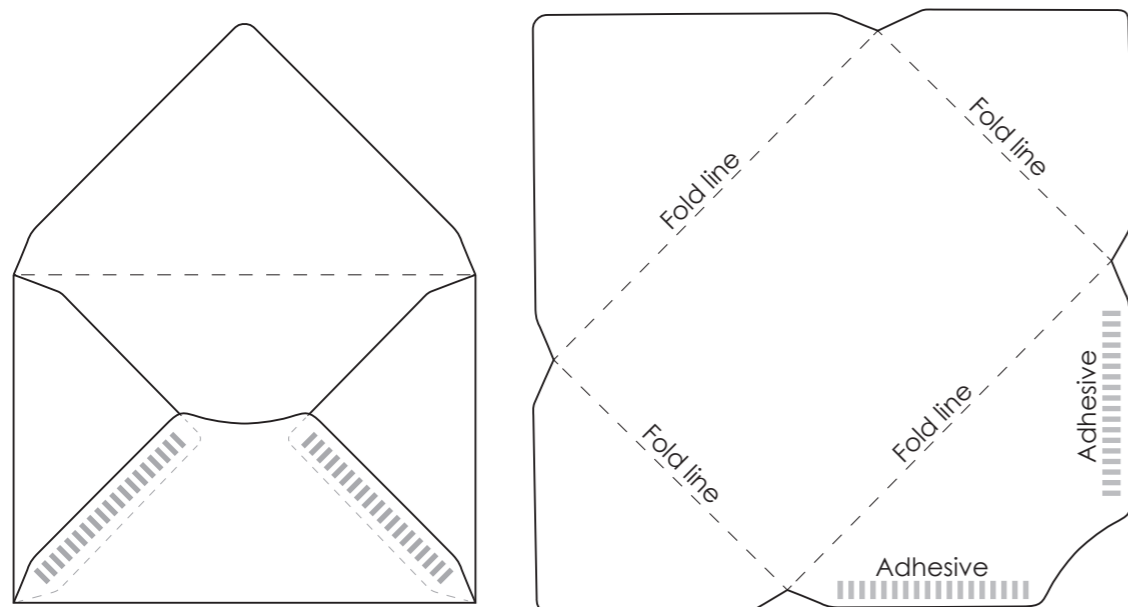
Dots and Doilys Envelope  
by Next to Nicx by Nicola Pravato is licensed under a  
Creative Commons Attribution-NonCommercial-NoDerivs 3.0 Unported License.  
No commercial use permitted. Personal use only.



Mint Background, Coral Dots & Paper Doily  
Envelope Exterior

To make yourself a gorgeous C6 envelope,  
(114mm high x 162mm wide)  
print this page out on A3 paper  
Cut around on the dotted line shown  
and fold as shown below.

After folding in the two side flaps, add a small amount of paper glue  
or double sided tape to the area indicated (on the non-printed side)  
and stick the base flap to the two side flaps.

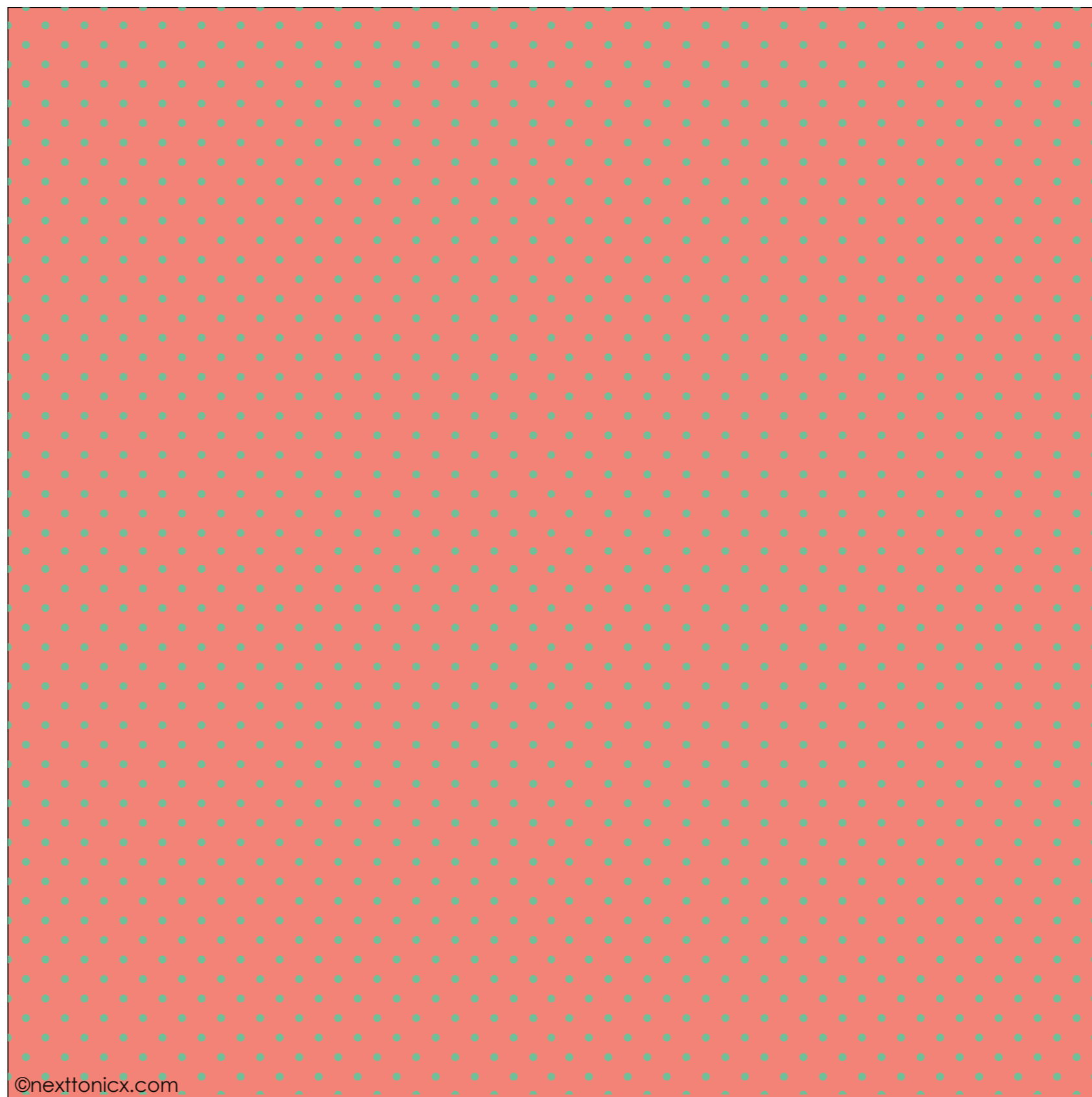
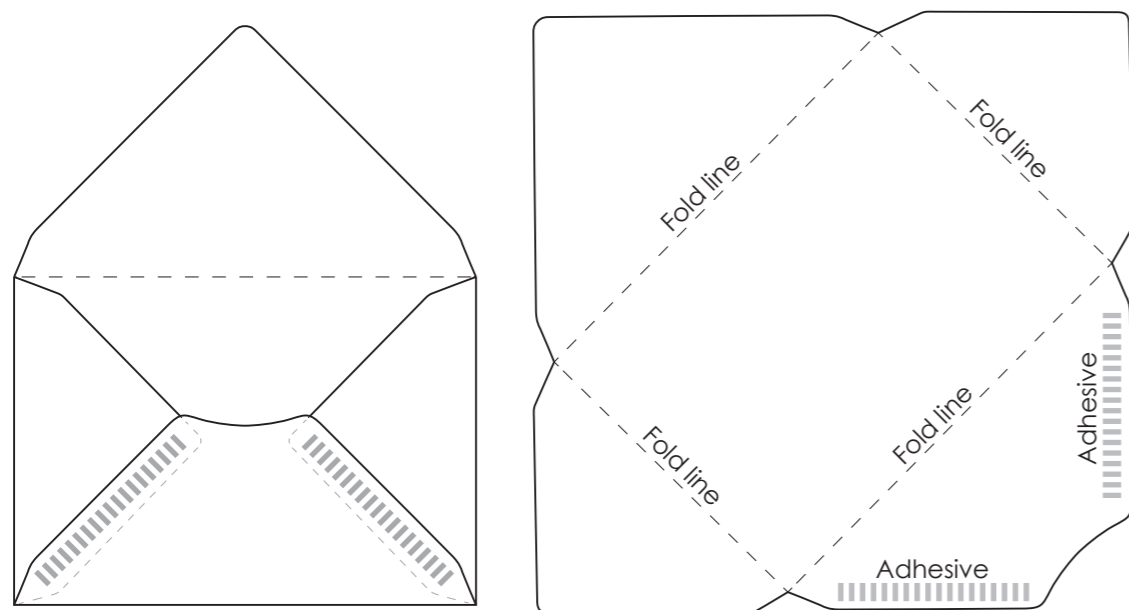


Dots and Doilys Envelope  
by Next to Nicx by Nicola Pravato is licensed under a  
Creative Commons Attribution-NonCommercial-NoDerivs 3.0 Unported License.  
No commercial use permitted. Personal use only.



Coral Background, Mint Dots  
Envelope Interior

To make yourself a gorgeous C6 envelope,  
(114mm high x 162mm wide) with this pattern on the inside,  
print this page out on the reverse side (flipping on the long side)  
of the envelope exterior print (A3 paper)  
Follow the instructions as per the envelope exterior print.



©nexttonicx.com

Dots and Doilys Envelope  
by Next to Nicx by Nicola Pravato is licensed under a  
Creative Commons Attribution-NonCommercial-NoDerivs 3.0 Unported License.  
No commercial use permitted. Personal use only.